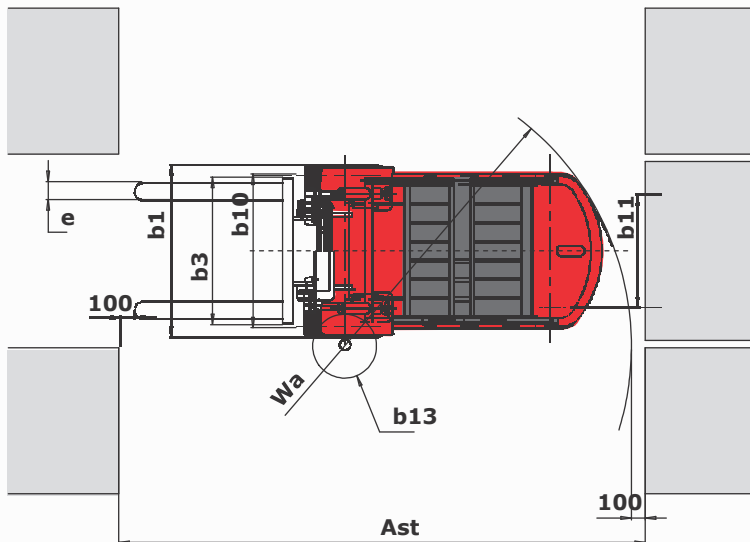
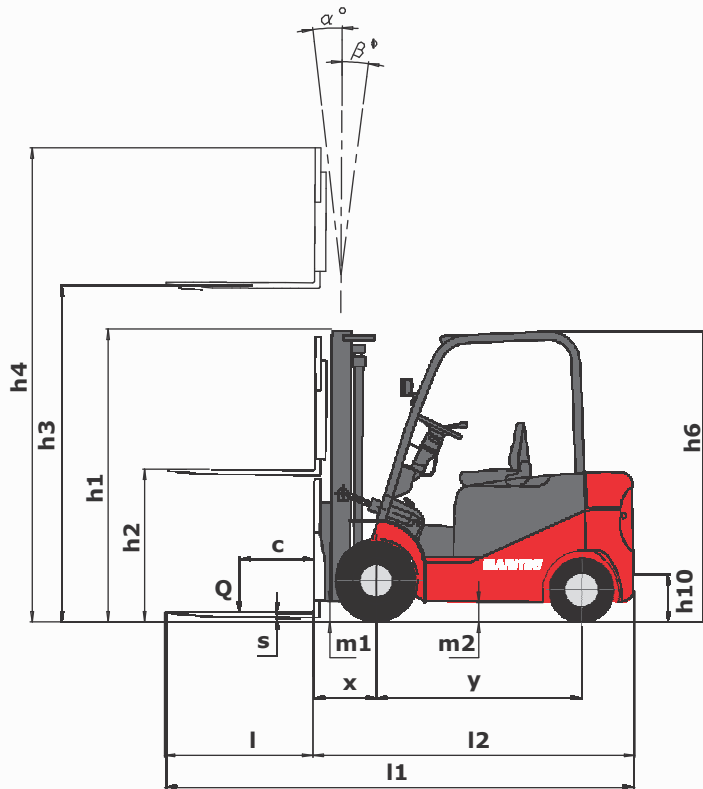
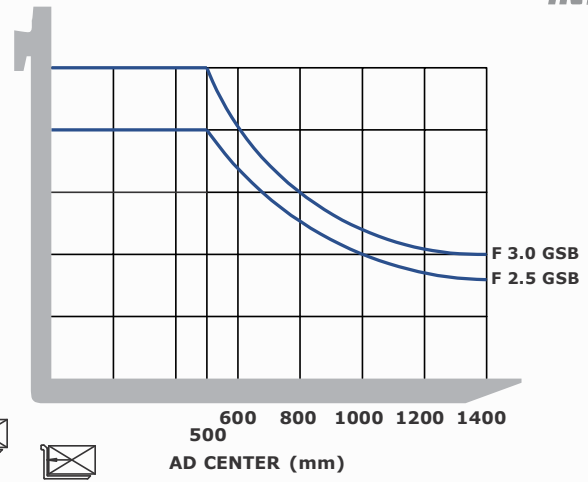


F 2.5 GSB F 3.0 GSB

FORK LOAD CAPACITY
CAPACITY (kg)





MAST SPECIFICATION

F 2.5 GSB	Lifting mast	Height of free lift	Height of mast when...			Tilt angle		Capacity at maximum height (kg) LC 500 mm
	mm	H2	lowered H1	extended with backrest H4	extended without backrest H4	F	R	2,5 T
Duplex total visibility	3300	140	2186	4356	-	5°	10°	2500
	3600	140	2336	4656	-	5°	10°	2500
	4000	140	2586	5056	-	5°	10°	2500
Duplex free lift	3300	1465	2150	4356	3985	5°	10°	2500
Triplex free lift	4500	1387	2096	5556	5219	5°	6°	2230
	5000	1552	2261	6056	5719	5°	6°	1860
	5500	1717	2426	6556	6219	3°	6°	1430
	6000	1932	2641	7056	6719	3°	6°	1220

F 3.0 GSB	Lifting mast	Height of free lift	Height of mast when...			Tilt angle		Capacity at maximum height (kg) LC 500 mm
	mm	H2	lowered H1	extended with backrest H4	extended without backrest H4	F	R	3 T
Duplex total visibility	3300	145	2186	4452	-	5°	10°	3000
	3600	145	2336	4752	-	5°	10°	3000
	4000	145	2586	5152	-	5°	10°	3000
Duplex free lift	3300	1449	2186	4452	4047	5°	10°	3000
Triplex free lift	4500	1348	2121	5652	5283	5°	6°	2720
	5000	1514	2287	6152	5783	5°	6°	2160
	5500	1678	2451	6652	6283	3°	6°	1850
	6000	1844	2617	7152	6783	3°	6°	1680